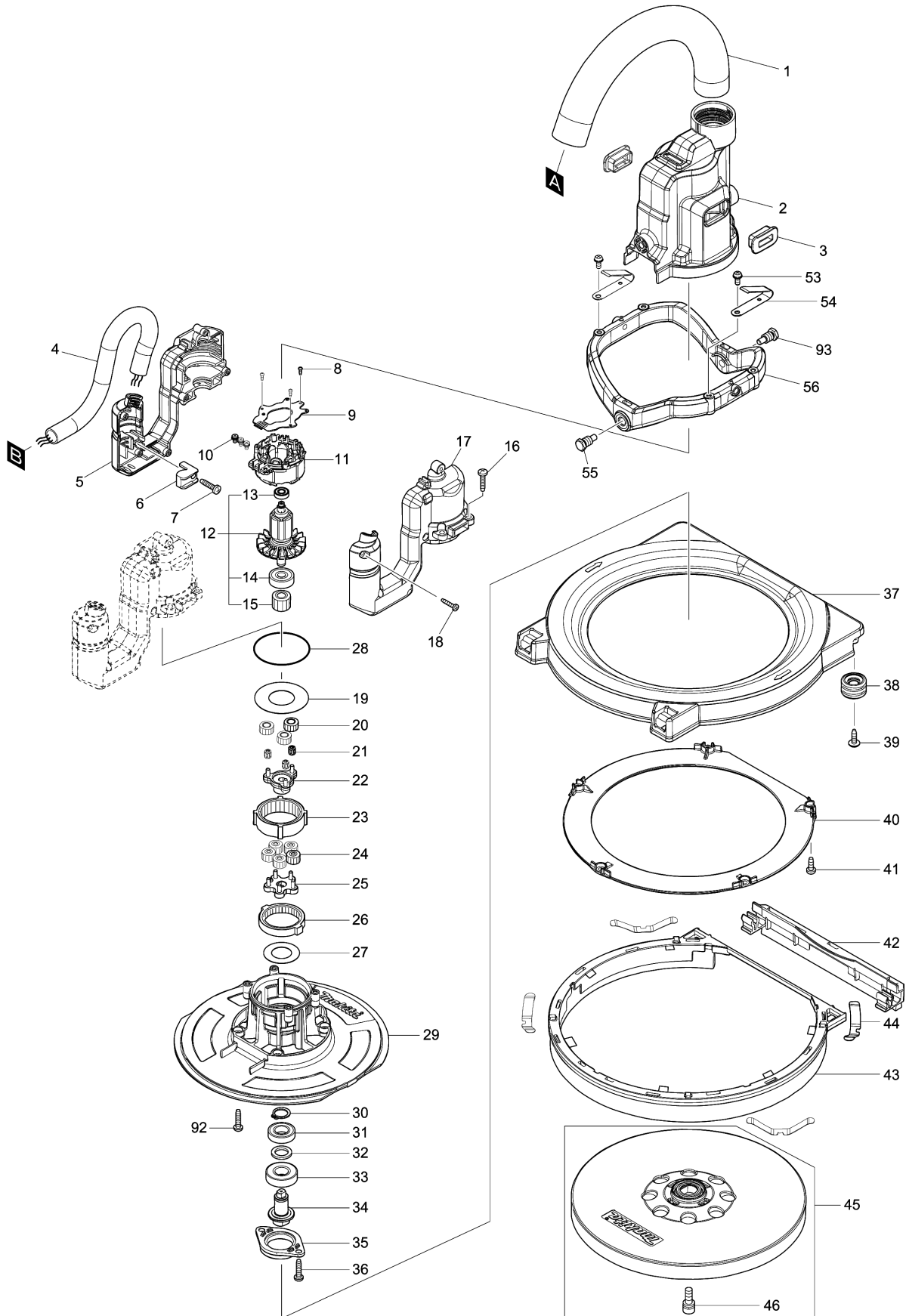
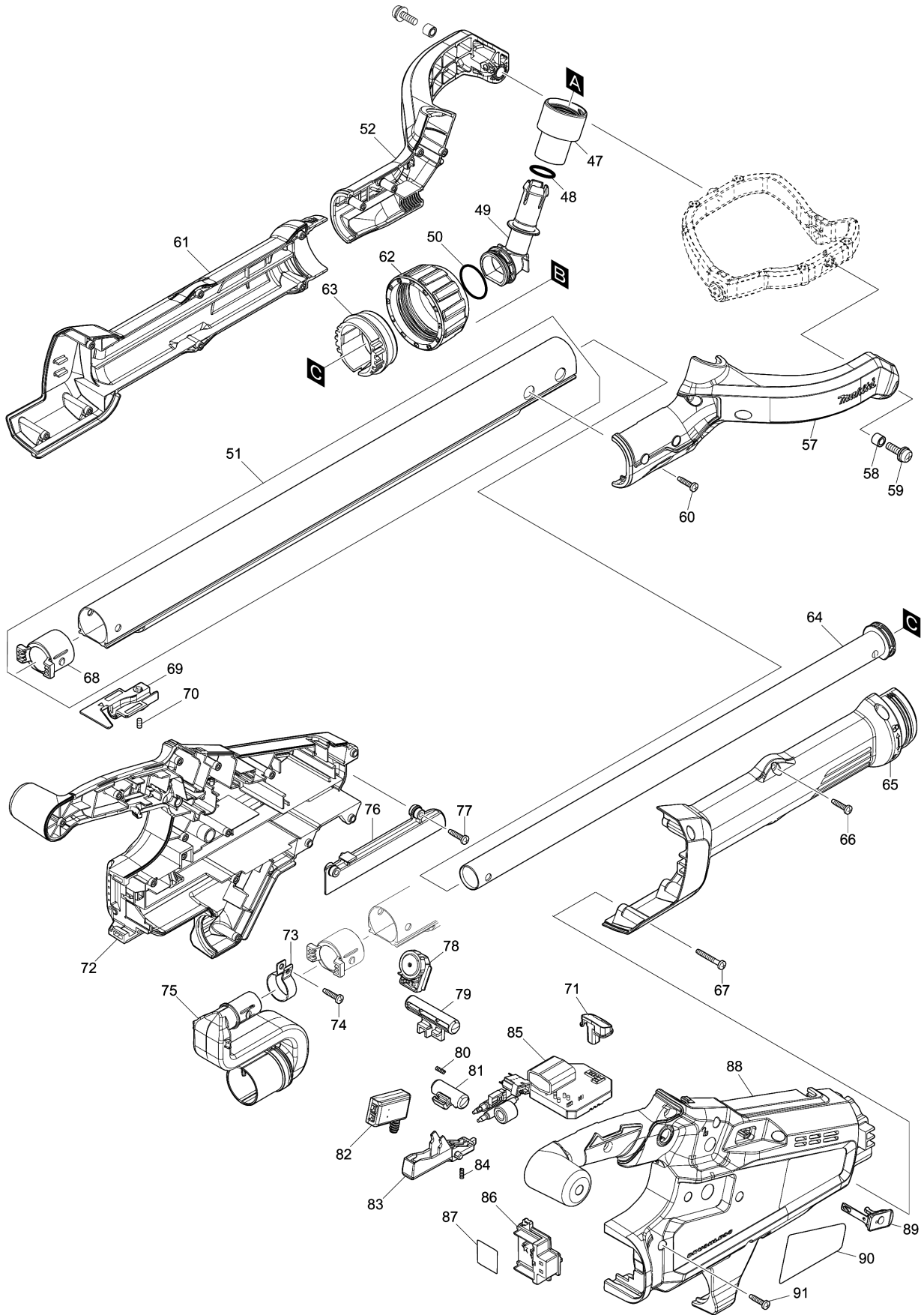


Model No.DSL800 225MM CORDLESS DRYWALL SANDER





Model No.DSL800 225MM CORDLESS DRYWALL SANDER





Model No.DSL800 225MM CORDLESS DRYWALL SANDER

| Tétel | Cikkszám | Megnevezés                        | Átalakulás | Menny. | New/Old | Opc 1 | Opc 2 | Megjegyzés |
|-------|----------|-----------------------------------|------------|--------|---------|-------|-------|------------|
| 001   | 245058-4 | HOSE 28-0.25                      |            | 1      |         |       |       |            |
| 002   | 459217-6 | HEAD COVER                        |            | 1      |         |       |       |            |
| 003   | 422446-4 | RUBBER CAP                        |            | 2      |         |       |       |            |
| 004   | 699129-3 | POWER SUPPLY CORD UNIT            |            | 1      |         |       |       |            |
| 005   | 183L77-3 | MOTOR HOUSING SET                 |            | 1      |         |       |       |            |
| D10   |          | INC. 17                           |            |        |         |       |       |            |
| 006   | 687261-5 | STRAIN RELIEF                     |            | 1      |         |       |       |            |
| 007   | 265995-6 | ÖNMETSZŐ CSAVAR<br>M4X18*         |            | 1      |         |       |       |            |
| 008   | 266490-9 | TAPPING SCREW PT 2X6              |            | 3      |         |       |       |            |
| 009   | 620B02-8 | CONTROLLER B                      |            | 1      |         |       |       |            |
| 010   | 652069-6 | FLAT HEAD SCREW M3X6              |            | 3      |         |       |       |            |
| 011   | 629409-3 | STATOR                            |            | 1      |         |       |       |            |
| 012   | 519567-2 | ROTOR ASSY                        |            | 1      | *       |       |       |            |
| D10   |          | INC. 13-15                        |            |        | *       |       |       |            |
| 012-1 | 519568-0 | ROTOR ASSY                        | O          | 1      |         |       |       |            |
| D10   |          | INC. 13-15                        |            |        |         |       |       |            |
| 013   | 210039-7 | BALL BEARING 695DDW               |            | 1      |         |       |       |            |
| 014   | 210023-2 | GOLYÓSCSAPÁGY 627DDW<br>9910/9911 |            | 1      |         |       |       |            |
| 015   | 226888-2 | SPUR GEAR 19                      |            | 1      |         |       |       |            |
| 016   | 265995-6 | ÖNMETSZŐ CSAVAR<br>M4X18*         |            | 4      |         |       |       |            |
| 017   | 183L77-3 | MOTOR HOUSING SET                 |            | 1      |         |       |       |            |
| D10   |          | INC. 5                            |            |        |         |       |       |            |
| 018   | 266429-2 | CSAVAR 3X16                       |            | 6      |         |       |       |            |
| 019   | 253437-2 | FLAT WASHER 23                    |            | 1      |         |       |       |            |
| 020   | 226886-6 | SPUR GEAR 14                      |            | 3      |         |       |       |            |
| 021   | 212131-5 | NEEDLE CAGE 307                   |            | 3      |         |       |       |            |
| 022   | 140J82-1 | SPUR GEAR 17 COMPLETE             |            | 1      |         |       |       |            |
| 023   | 226890-5 | INTERNAL GEAR 47                  |            | 1      |         |       |       |            |
| 024   | 226885-8 | SPUR GEAR 13                      |            | 5      |         |       |       |            |
| 025   | 140J81-3 | CARRIER COMPLETE                  |            | 1      |         |       |       |            |
| 026   | 226889-0 | INTERNAL GEAR 43                  |            | 1      |         |       |       |            |
| 027   | 267789-5 | FLAT WASHER 18                    |            | 1      |         |       |       |            |
| 028   | 213606-7 | O-GYŰRŰ 48 213606-7               |            | 1      |         |       |       |            |
| 029   | 459216-8 | GEAR HOUSING                      |            | 1      |         |       |       |            |
| 030   | 961052-5 | SEEGER-GYŰRŰ S-12<br>961052-5     |            | 1      |         |       |       |            |
| 031   | 211150-8 | BALL BEARING 6901ZZ               |            | 1      |         |       |       |            |
| 032   | 253746-9 | FLAT WASHER 12                    |            | 1      |         |       |       |            |
| 033   | 210105-0 | CSAPÁGY/PW5000                    |            | 1      |         |       |       |            |
| 034   | 327318-7 | SPINDLE                           |            | 1      |         |       |       |            |

Model No.DSL800 225MM CORDLESS DRYWALL SANDER

| Tétel | Cikkszám | Megnevezés                        | Átalakulás | Menny. | New/Old | Opc 1 | Opc 2 | Megjegyzés |
|-------|----------|-----------------------------------|------------|--------|---------|-------|-------|------------|
| 035   | 319823-8 | BEARING RETAINER 47               |            | 1      |         |       |       |            |
| 036   | 265995-6 | ÖNMETSZŐ CSAVAR<br>M4X18*         |            | 2      |         |       |       |            |
| 037   | 459218-4 | COVER                             |            | 1      |         |       |       |            |
| 038   | 140L62-9 | BEARING COVER COMPLETE            |            | 2      | *       |       |       |            |
| 038-1 | 140T62-7 | BEARING COVER COMPLETE            | <          | 2      |         |       |       |            |
| 039   | 266901-4 | TAPPING SCREW 4X14                |            | 2      |         |       |       |            |
| 040   | 459219-2 | BRUSH STOPPER                     |            | 1      |         |       |       |            |
| 041   | 266020-6 | ÖNMETSZŐ CSAVAR M4X12             |            | 5      |         |       |       |            |
| 042   | 140J86-3 | BRUSH B COMPLETE                  |            | 1      |         |       |       |            |
| 043   | 140J85-5 | BRUSH A COMPLETE                  |            | 1      |         |       |       |            |
| 044   | 232510-1 | LEAF SPRING                       |            | 4      |         |       |       |            |
| 045   | 199939-3 | PAD 210 SET                       |            | 1      |         |       |       |            |
| D10   |          | INC. 46                           |            |        |         |       |       |            |
| 046   | 922323-5 | HEX.SOCKET HEAD BOLT<br>M6X16     |            | 1      |         |       |       |            |
| 047   | 459223-1 | HOSE CONNECTOR                    |            | 1      |         |       |       |            |
| 048   | 213304-3 | O-GYŰRŰ 20 213304-3               |            | 1      |         |       |       |            |
| 049   | 459222-3 | JOINT                             |            | 1      |         |       |       |            |
| 050   | 213393-8 | O RING 23                         |            | 1      |         |       |       |            |
| 051   | 140N60-5 | PIPE A COMPLETE                   |            | 1      |         |       |       |            |
| D10   |          | INC. 68                           |            |        |         |       |       |            |
| 052   | 183L76-5 | ARM SET                           |            | 1      |         |       |       |            |
| D10   |          | INC. 57                           |            |        |         |       |       |            |
| 053   | 911113-1 | TRAPÉZFEJŰ CSAVAR<br>M4X10 911113 |            | 2      |         |       |       |            |
| 054   | 232534-7 | LEAF SPRING                       |            | 2      |         |       |       |            |
| 055   | 265A35-6 | HEX. BOLT M8X17                   |            | 1      |         |       |       |            |
| 056   | 319808-4 | FRAME                             |            | 1      |         |       |       |            |
| 057   | 183L76-5 | ARM SET                           |            | 1      |         |       |       |            |
| D10   |          | INC. 52                           |            |        |         |       |       |            |
| 058   | 262561-0 | SLEEVE 6                          |            | 2      |         |       |       |            |
| 059   | 911334-5 | PAN HEAD SCREW M6X20              |            | 2      |         |       |       |            |
| 060   | 265995-6 | ÖNMETSZŐ CSAVAR<br>M4X18*         |            | 4      |         |       |       |            |
| 061   | 183L78-1 | PIPE HOUSING SET                  |            | 1      |         |       |       |            |
| D10   |          | INC. 65                           |            |        |         |       |       |            |
| 062   | 459226-5 | LOCK RING                         |            | 1      |         |       |       |            |
| 063   | 140J84-7 | LOCK SLEEVE COMPLETE              |            | 1      |         |       |       |            |
| 064   | 140L61-1 | PIPE B COMPLETE                   |            | 1      |         |       |       |            |
| C10   | 459225-7 | PIPE STOPPER B                    |            | 1      |         |       |       |            |
| 065   | 183L78-1 | PIPE HOUSING SET                  |            | 1      |         |       |       |            |
| D10   |          | INC. 61                           |            |        |         |       |       |            |

Model No.DSL800 225MM CORDLESS DRYWALL SANDER

| Tétel | Cikkszám | Megnevezés                      | Átalakulás | Menny. | New/Old | Opc 1 | Opc 2 | Megjegyzés |
|-------|----------|---------------------------------|------------|--------|---------|-------|-------|------------|
| 066   | 265995-6 | ÖNMETSZŐ CSAVAR<br>M4X18*       |            | 4      |         |       |       |            |
| 067   | 266050-7 | ÖNMETSZŐ CSAVAR M4X30           |            | 3      |         |       |       |            |
| 068   | 459224-9 | PIPE STOPPER A                  |            | 1      |         |       |       |            |
| 069   | 459228-1 | CORD HOLDER                     |            | 1      |         |       |       |            |
| 070   | 913106-4 | ÁLLÍTÓCSAVAR M4X8 9803          |            | 1      |         |       |       |            |
| 071   | 140J83-9 | INDICATOR PANEL<br>COMPLETE     |            | 1      |         |       |       |            |
| 072   | 183L75-7 | HANDLE SET                      |            | 1      |         |       |       |            |
| C10   | 263005-3 | GUMI CSAPSZEG 6 263005-<br>3    |            | 2      |         |       |       |            |
| D10   |          | INC. 88                         |            |        |         |       |       |            |
| 073   | 346248-3 | CLAMP 24                        |            | 1      |         |       |       |            |
| 074   | 265995-6 | ÖNMETSZŐ CSAVAR<br>M4X18*       |            | 1      |         |       |       |            |
| 075   | 459234-6 | DUST NOZZLE                     |            | 1      |         |       |       |            |
| 076   | 459229-9 | CORD COVER                      |            | 1      |         |       |       |            |
| 077   | 265995-6 | ÖNMETSZŐ CSAVAR<br>M4X18*       |            | 2      |         |       |       |            |
| 078   | 620796-3 | DIAL CIRCUIT                    |            | 1      |         |       |       |            |
| 079   | 459230-4 | LOCK OFF BUTTON                 |            | 1      |         |       |       |            |
| 080   | 231433-0 | NYOMÓRUGÓ 4 231433-0            |            | 1      |         |       |       |            |
| 081   | 419705-5 | LOCK ON BUTTON                  |            | 1      |         |       |       |            |
| 082   | 651083-9 | SWITCH C3XA-1PSPM               |            | 1      |         |       |       |            |
| 083   | 459231-2 | SWITCH LEVER                    |            | 1      |         |       |       |            |
| 084   | 231433-0 | NYOMÓRUGÓ 4 231433-0            |            | 1      |         |       |       |            |
| 085   | 620B01-0 | CONTROLLER                      |            | 1      |         |       |       |            |
| 086   | 644809-6 | TERMINAL                        |            | 1      |         |       |       |            |
| 087   | 855W07-7 | DSL800 SERIAL NO. LABEL         |            | 1      |         |       |       |            |
| 088   | 183L75-7 | HANDLE SET                      |            | 1      |         |       |       |            |
| C10   | 263005-3 | GUMI CSAPSZEG 6 263005-<br>3    |            | 2      |         |       |       |            |
| D10   |          | INC. 72                         |            |        |         |       |       |            |
| 089   | 140F99-0 | CAP COMPLETE                    |            | 1      |         |       |       |            |
| C10   | 213218-6 | O-GYŰRŰ 16 AN7000               |            | 1      |         |       |       |            |
| C20   | 818H07-8 | CAP LABEL                       |            | 1      |         |       |       |            |
| 090   | 855W00-1 | DSL800 NAME PLATE               |            | 1      |         |       |       |            |
| 091   | 265995-6 | ÖNMETSZŐ CSAVAR<br>M4X18*       |            | 10     |         |       |       |            |
| 092   | 265995-6 | ÖNMETSZŐ CSAVAR<br>M4X18*       |            | 4      |         |       |       |            |
| 093   | 265A68-1 | HEX. BOLT M8X22                 |            | 1      |         |       |       |            |
| A01   | B-68404  | ABRASIVE PAPER DISC 225-<br>120 |            | 1      |         |       |       |            |
| A02   | 783217-7 | HEX. WRENCH 5                   |            | 1      |         |       |       |            |
| A03   | 195638-5 | TOOL BAG SET                    |            | 1      |         |       |       |            |

Model No.DSL800 225MM CORDLESS DRYWALL SANDER

| Tétel  | Cikkszám  | Megnevezés          | Átalakulás | Menny. | New/Old | Opc 1 | Opc 2 | Megjegyzés |
|--------|-----------|---------------------|------------|--------|---------|-------|-------|------------|
| A04    | 835B53-0  | INNER TRAY          |            | 1      |         |       |       |            |
| A05B   | 198900-7  | WIRELESS UNIT SET   |            | 1      |         |       |       |            |
| A05D   | 198900-7  | WIRELESS UNIT SET   |            | 1      |         |       |       |            |
| A06C   | 450128-8  | BATTERY COVER       |            | 2      |         |       |       |            |
| A06D   | 450128-8  | BATTERY COVER       |            | 2      |         |       |       |            |
| A07C   | ***DC18RC | DC18RC FAST CHARGER |            | 1      |         |       |       |            |
| D10    |           | COMPO-PARTS         |            |        |         |       |       |            |
| A07D   | ***DC18RC | DC18RC FAST CHARGER |            | 1      |         |       |       |            |
| D10    |           | COMPO-PARTS         |            |        |         |       |       |            |
| A08C   | 197280-8  | BATTERY BL1850B SET |            | 2      | *       |       |       |            |
| A08D   | 197280-8  | BATTERY BL1850B SET |            | 2      | *       |       |       |            |
| A08-1C | 197280-8  | BATTERY BL1850B SET | O          | 2      |         |       |       |            |
| A08-1D | 197280-8  | BATTERY BL1850B SET | O          | 2      |         |       |       |            |

Please order the parts with part number.

Print Date 2019/11/18